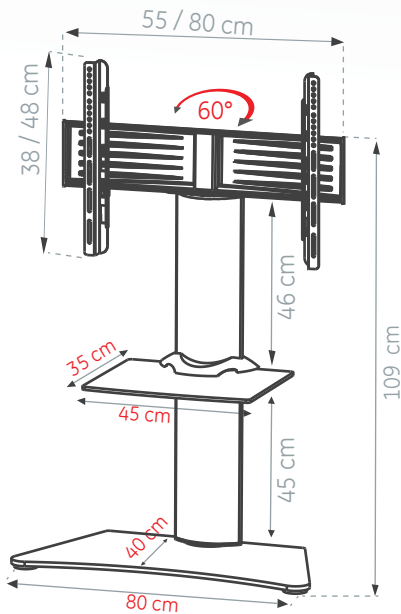


FL-B-8040

Display TV Stand



Features	w/ 38-55 cm Bracket	w/ 48-80 cm Bracket
★ Height adjustability	: 2 levels	: 3 levels
★ Max. Load	: 20 kg	: 25 kg
★ Screen size (min.-max.)	: 26"-45"	: 32"-55"
★ Max. VESA standard	: 400x300	: 400x400
★ Glass shelf size	: 35x45 cm	: 35x45 cm
★ Glass shelf thickness	: 8 mm tempered glass	: 8 mm tempered glass
★ Body Aluminum color	: Black (005), Silver (556)	: Black (005), Silver (556)
★ Swivel for bracket	: 60° (30° left, 30° right)	: 60° (30° left, 30° right)
★ Glass base thickness	: 10 mm tempered glass	: 10 mm tempered glass
Logistic information		
★ Master Carton sizes	: 106,00 x 53,00 x 13,00 (l x w x h)	: 106,00 x 53,00 x 13,00 (l x w x h)
★ Max. Weight of master carton	: 18,50 kg	: 19,10 kg

