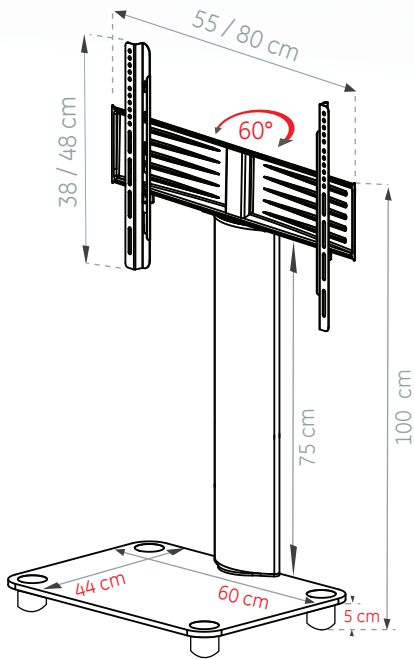


SQ-B-50

Display TV Stand



Features	w/ 38-55 cm Bracket	w/ 48-80 cm Bracket
<ul style="list-style-type: none"> ★ Height adjustability ★ Max. Load ★ Screen size (min.-max.) ★ Max. VESA standard ★ Glass base size ★ Glass base thickness ★ Body Aluminum color ★ Swivel for bracket 	<ul style="list-style-type: none"> : 2 levels : 20 kg : 26"-45" : 400x300 : 60x44 cm : 10 mm tempered glass : Black (005), Silver (556) : 60° (30° left, 30° right) 	<ul style="list-style-type: none"> : 3 levels : 25 kg : 32"-55" : 400x400 : 60x44 cm : 10 mm tempered glass : Black (005), Silver (556) : 60° (30° left, 30° right)
Logistic information <ul style="list-style-type: none"> ★ Master Carton sizes ★ Max. Weight of master carton 	<ul style="list-style-type: none"> : 106,00 x 53,00 x 13,00 (l x w x h) : 14,90 kg 	<ul style="list-style-type: none"> : 106,00 x 53,00 x 13,00 (l x w x h) : 15,50 kg